


For Residential and Commercial Applications

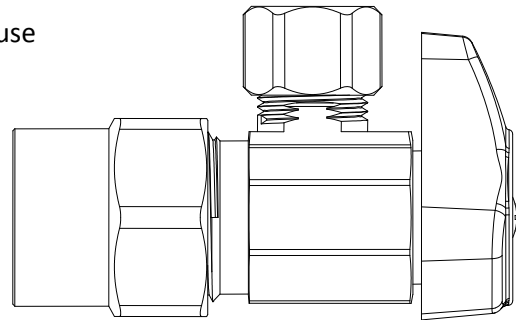
Job Name		Engineer / Architect	
Job Location		Wholesaler	
Submittal Date		Contractor	

G2PR19 1/4 Turn Angle Stop – CPVC x Compression

Use: For use with water in accessible locations only. Not intended for recirculating water systems that produce continuous use temperatures above 115° F. For those applications, use our KT™ series ball stop.

Design Features:

- **One-piece shut-off mechanism** provides smooth on-off operation without freeze ups even after long periods of non-use
- **Positive 1/4 turn shut-off**
- **Full-flow operation** with no waterway obstructions
- **Corrosion-resistant handle** is plated in an attractive chrome finish
- **Machined one-piece brass body** provides strength, durability, and long-lasting performance
- **Easy-to-remove handle** with screw attachment helps protect against accidental operation during rough-ins
- **100% leak tested**
- **100% Compliant product** available 



Operating Specifications:

Temperature: 40° - 140° F
Pressure: 125 PSI maximum

Standard

STOP MATERIAL SPECIFICATIONS	
Body	Brass, chrome-plated
Stem Barrel	Santoprene
Stem Shaft	Glass-filled polypropylene
Stem O-ring	EPDM
Handle	Zinc, die-cast
Screw	Steel, zinc-plated
CPVC Insert	CPVC
CPVC Washer	EPDM
CPVC Nut	Brass, chrome-plated
Compression Sleeve	Brass
Compression Nut	Brass, chrome-plated

Compliant

STOP MATERIAL SPECIFICATIONS	
Body	Compliant brass, chrome-plated
Stem Barrel	Santoprene
Stem Shaft	Glass-filled polypropylene
Stem O-ring	EPDM
Handle	Zinc, die-cast
Screw	Steel, zinc-plated
CPVC Insert	CPVC
CPVC Washer	EPDM
CPVC Nut	Compliant brass, chrome-plated
Compression Sleeve	Brass
Compression Nut	Brass, chrome-plated

This specification and all information contained herein is the confidential and exclusive property of BrassCraft Manufacturing, and shall not be disclosed to others without the written consent of BrassCraft Mfg. This specification must be returned to BrassCraft Mfg if requested.



G2PR19 1/4 Turn Angle Stop – CPVC x Compression

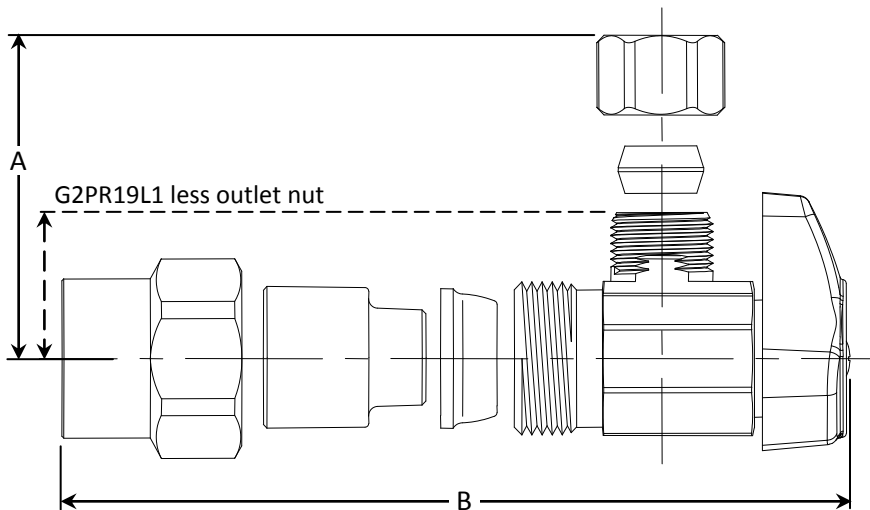
Standard Part Listing:

- G2PR19 C 1/2" nom CPVC x 3/8" OD compression, chrome plated
- G2PR19 CD 1/2" nom CPVC x 3/8" OD compression, chrome plated, carded
- G2PR19 C1 1/2" nom CPVC x 3/8" OD compression, chrome plated, window tray
- G2PR19 R 1/2" nom CPVC x 3/8" OD compression, rough brass
- G2PR19L1 CB 1/2" nom CPVC x 3/8" OD compression, less outlet nut, chrome plated, bulk

Compliant Part Listing:

- G2PR19X C 1/2" nom CPVC x 3/8" OD compression, chrome plated
- G2PR19X CD 1/2" nom CPVC x 3/8" OD compression, chrome plated, carded
- G2PR19X C1 1/2" nom CPVC x 3/8" OD compression, chrome plated, window tray
- G2PR19X R 1/2" nom CPVC x 3/8" OD compression, rough brass

PART DIMENSIONS (Inches)		
Model	DIM. A	DIM. B
G2PR19	1.06	2.65
G2PR19L1	0.77	2.65



Listings & Certifications:

- IAPMO listed to ASME A112.18.1 / CSA B125.1 (File # 0645)
- CSA listed to ASME A112.18.1 / CSA B125.1 (File # 204593)
- Compliant product CSA listed to Low Lead Content Certification Program – Plumbing Products Class 6853-01



This specification and all information contained herein is the confidential and exclusive property of BrassCraft Manufacturing, and shall not be disclosed to others without the written consent of BrassCraft Mfg. This specification must be returned to BrassCraft Mfg if requested.

BrassCraft®